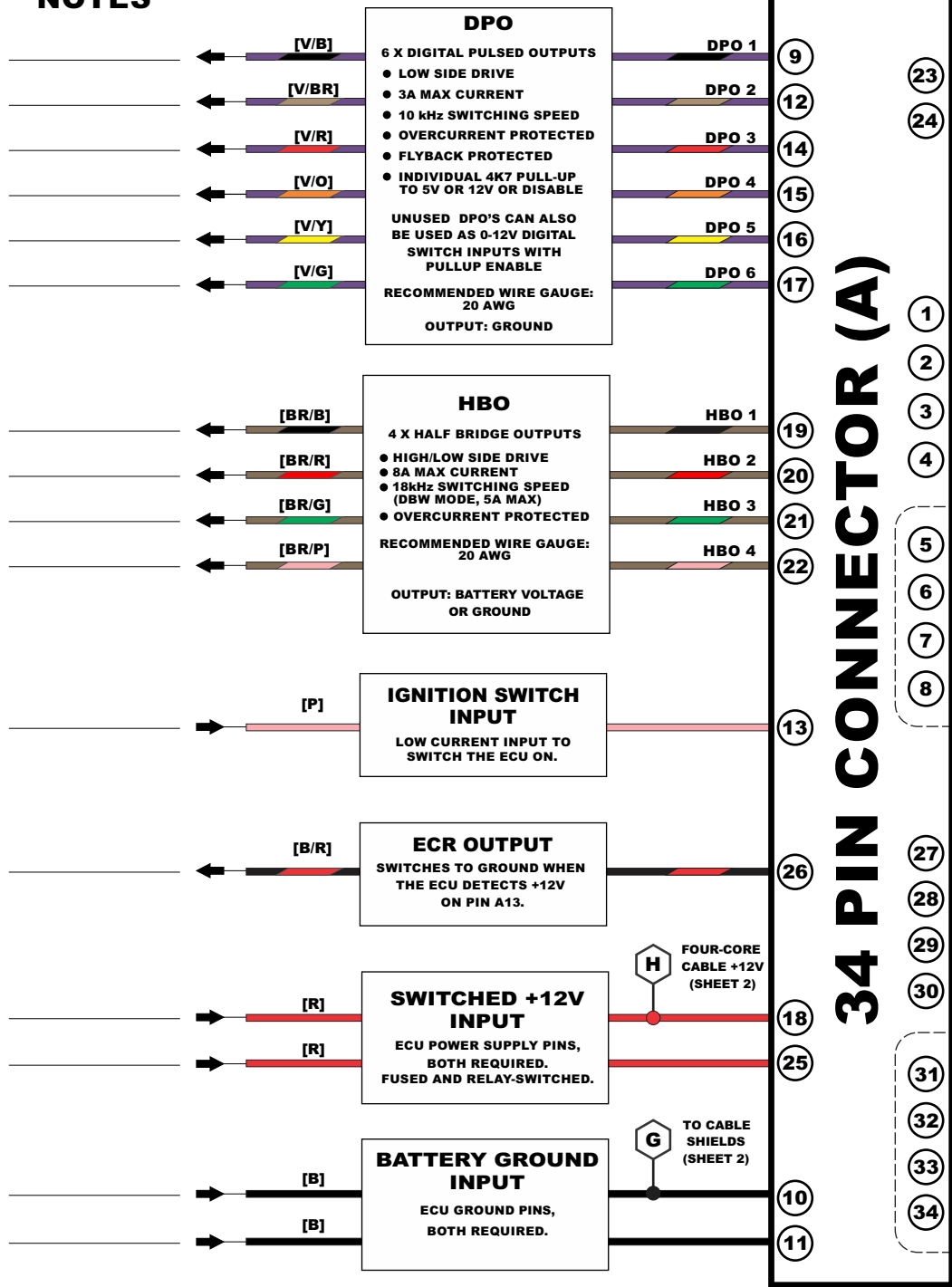
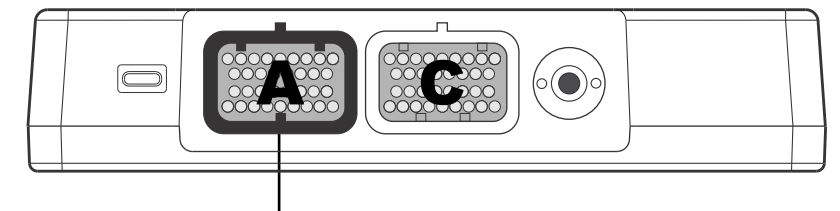
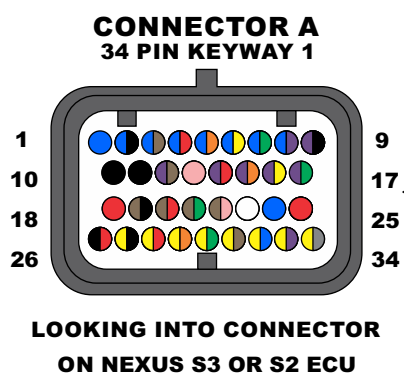
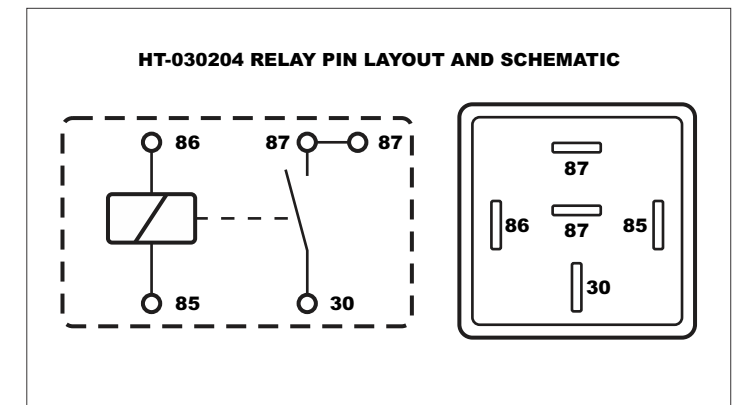
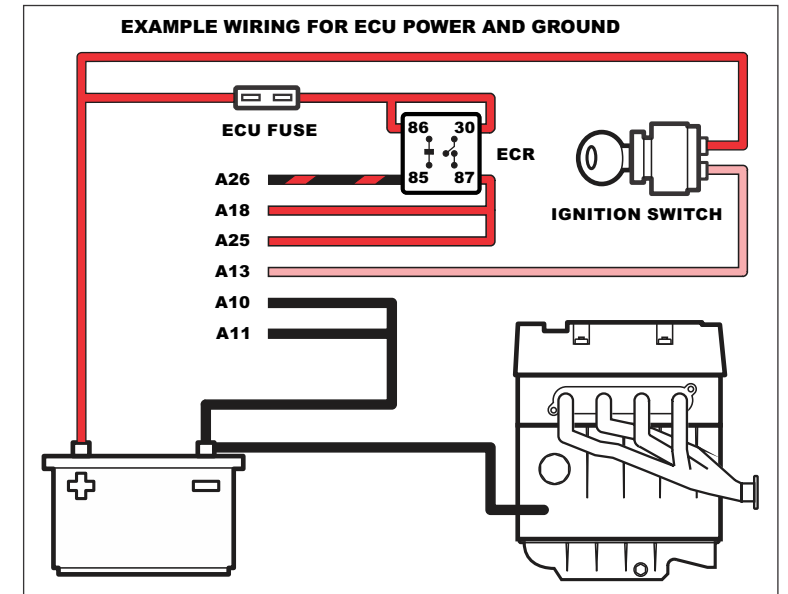
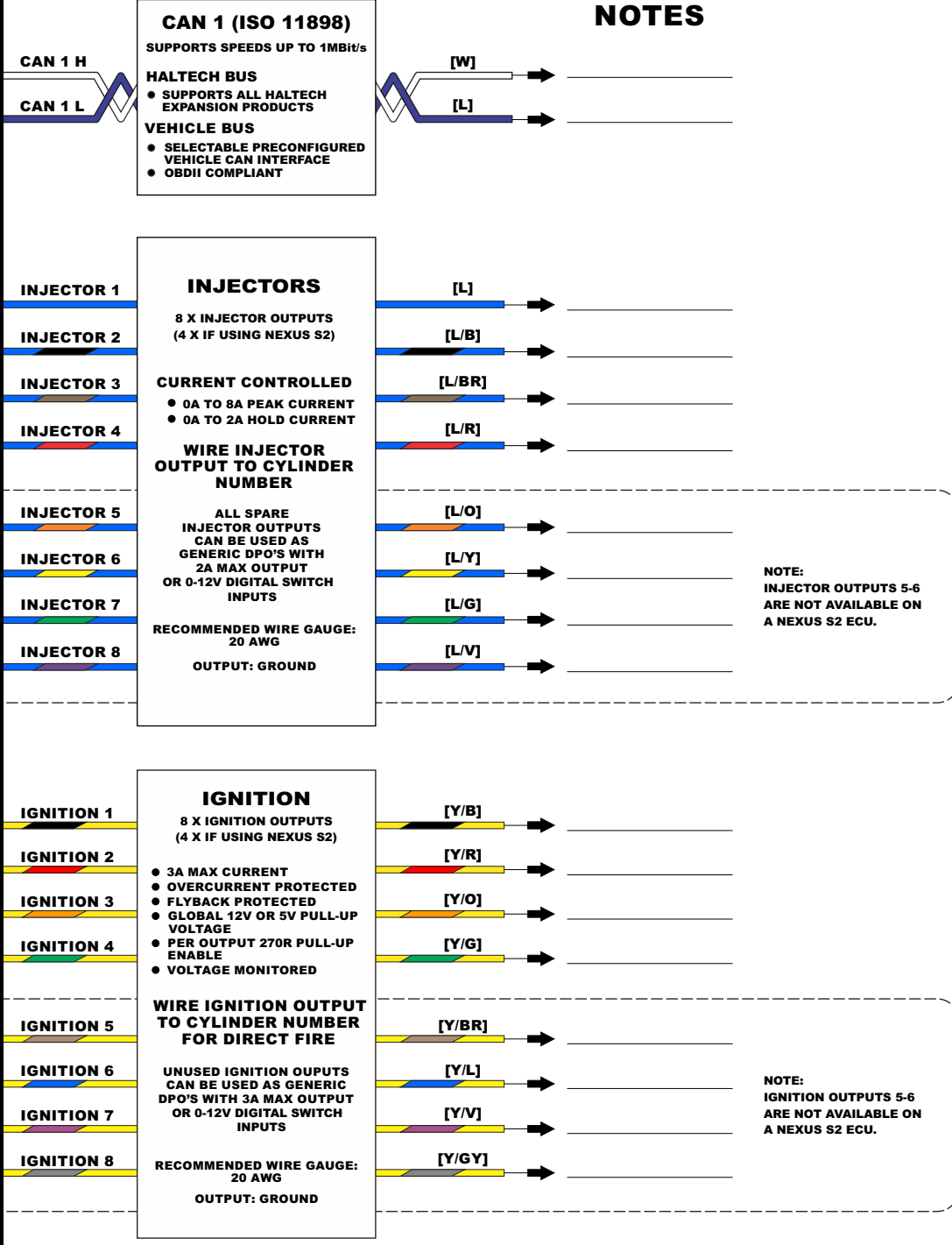


NEXUS S3 / NEXUS S2 UNIVERSAL WIRE-IN HARNESS

NOTES



NOTES

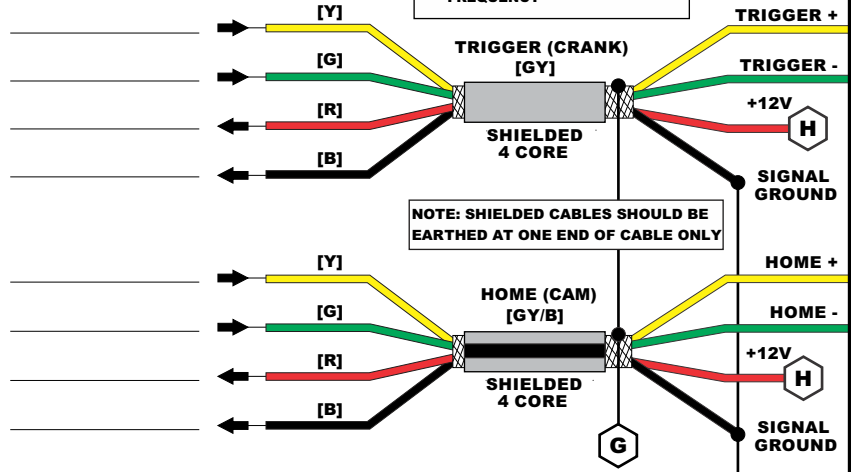


LEGEND - WIRE COLOUR
B = BLACK BR = BROWN G = GREEN GY = GREY L = BLUE
LL = LIGHT BLUE LG = LIGHT GREEN LY = LIGHT YELLOW O = ORANGE
P = PINK R = RED V = VIOLET Y = YELLOW W = WHITE
WHEN TWO COLOURS ARE USED IN A WIRE BY THE ALPHABETICAL CODE, THE FIRST LETTER INDICATES THE BASIC WIRE COLOUR, THE SECOND COLOUR INDICATES THE COLOUR OF THE STRIPE.

NOTES

TRIGGER AND HOME INPUTS

- SUPPORTS RELUCTOR INPUTS
- SUPPORTS DIGITAL INPUTS
- SELECTABLE GROUND REFERENCE AND PULLUP TO 5V
- 48kHz MAX SIGNAL FREQUENCY



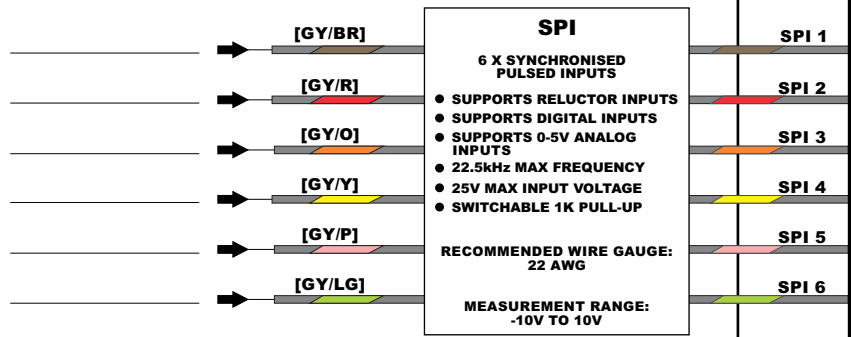
SPI

6 X SYNCHRONISED PULSED INPUTS

- SUPPORTS RELUCTOR INPUTS
- SUPPORTS DIGITAL INPUTS
- SUPPORTS 0-5V ANALOG INPUTS
- 22.5kHz MAX FREQUENCY
- 25V MAX INPUT VOLTAGE
- SWITCHABLE 1K PULL-UP

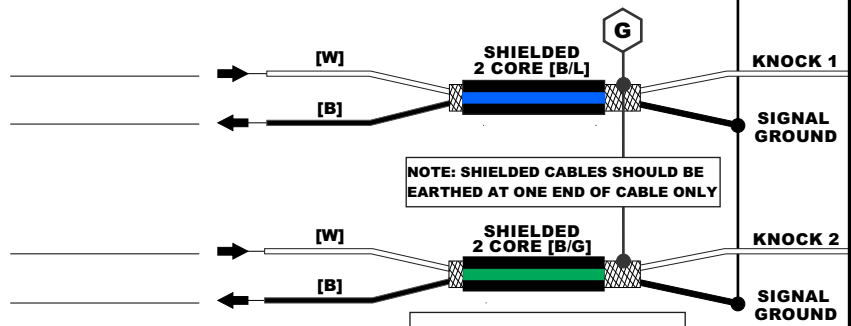
RECOMMENDED WIRE GAUGE: 22 AWG

MEASUREMENT RANGE: -10V TO 10V



SIGNAL GROUND

- 500mA MAX OUTPUT CURRENT



KNOCK INPUTS

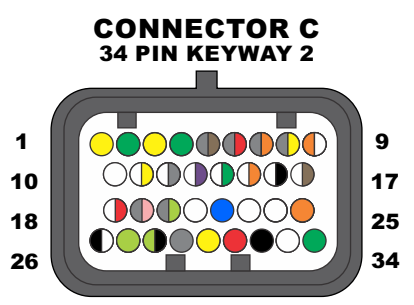
- -2.5V TO +2.5V AC INPUT ONLY
- 160Hz TO 48kHz SIGNAL FREQUENCY

LEGEND - CONNECTION POINTS

G CONNECTION TO BATTERY GROUND INPUT WIRE ON CONNECTOR A - SHEET 1

H CONNECTION TO SWITCHED +12V INPUT WIRE ON CONNECTOR A - SHEET 1

34 PIN CONNECTOR (C)



LOOKING INTO CONNECTOR ON NEXUS S3 OR S2 ECU

NOTES

AVI

11 X ANALOG VOLTAGE INPUTS

- INDIVIDUAL SOFTWARE SELECTABLE 1K PULL-UP TO 5V
- USER DEFINABLE INPUTS CAN BE ALLOCATED TO AVAILABLE FUNCTIONS IN THE SOFTWARE
- 30V MAX INPUT VOLTAGE
- 1000 SAMPLES/SECOND
- 1.5kHz MAX INPUT FREQUENCY
- ALL AVIS CAN BE USED FOR NARROWBAND O2 AND DBW

RECOMMENDED WIRE GAUGE: 22 AWG

INPUT: -10V TO 30V

CAN 2 (ISO 11898)

SUPPORTS SPEEDS UP TO 1Mbit/s

HALTECH BUS

- SUPPORTS ALL HALTECH EXPANSION PRODUCTS

VEHICLE BUS

- SELECTABLE PRECONFIGURED VEHICLE CAN INTERFACE
- OBDII COMPLIANT

+8V SENSOR SUPPLY

- 200mA MAX OUTPUT CURRENT

+5V SENSOR SUPPLY

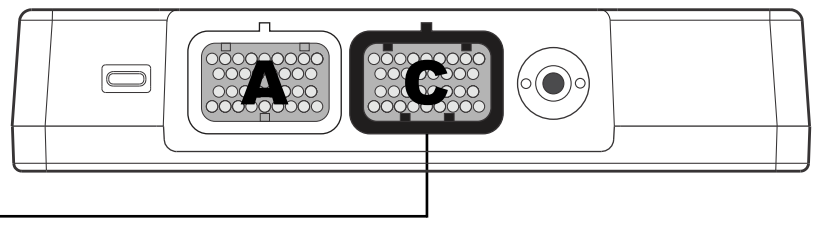
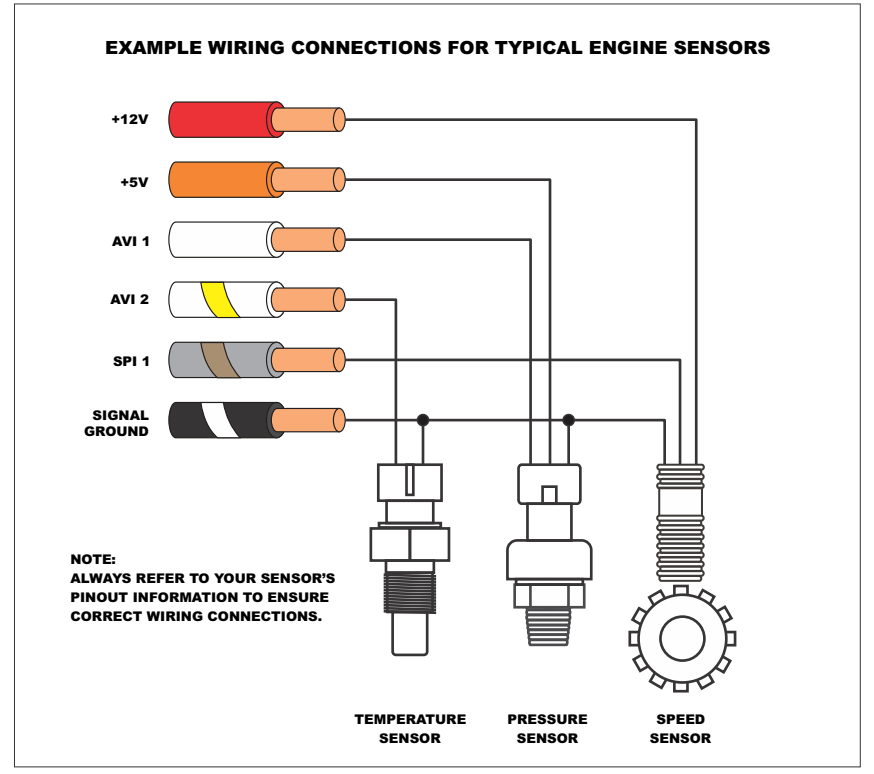
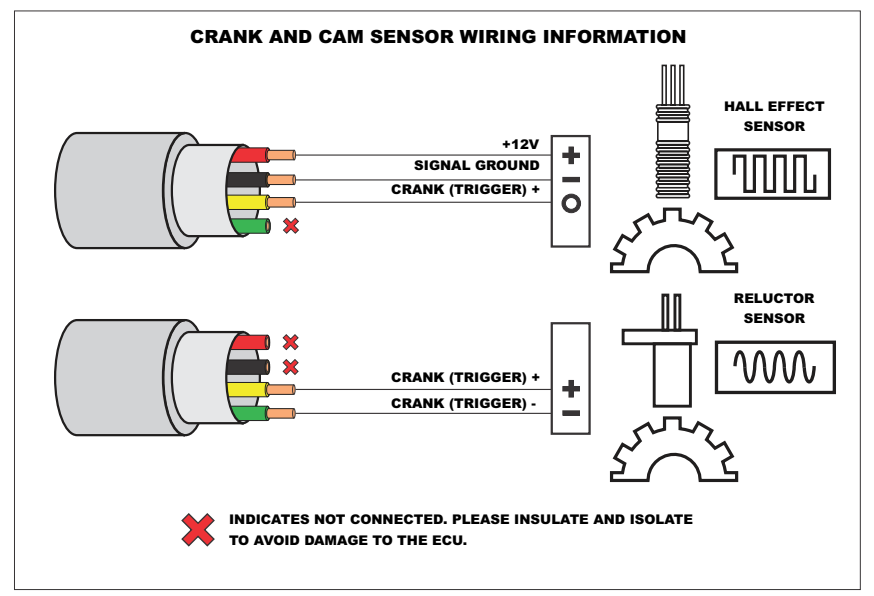
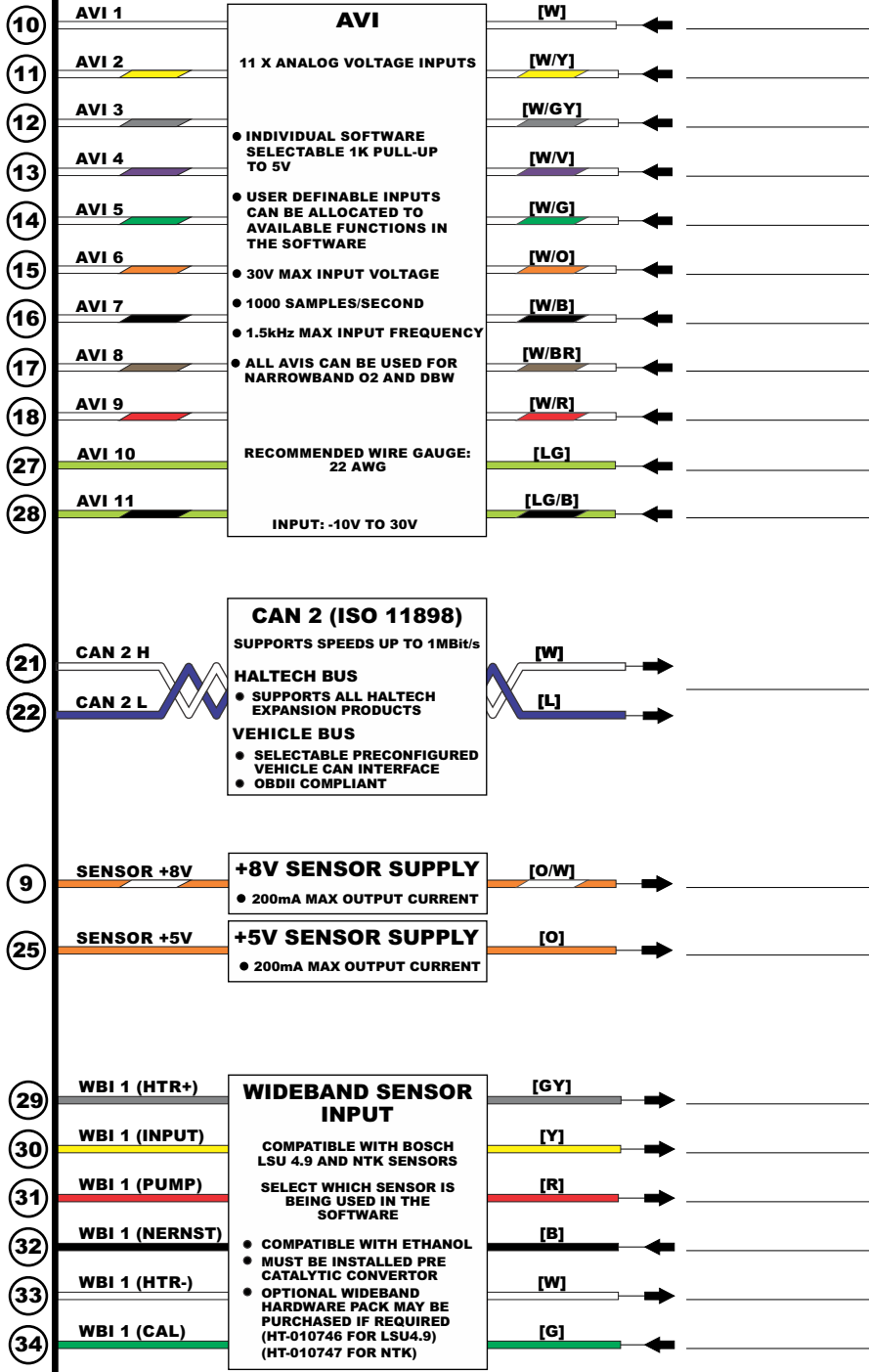
- 200mA MAX OUTPUT CURRENT

WIDEBAND SENSOR INPUT

COMPATIBLE WITH BOSCH LSU 4.9 AND NTK SENSORS

SELECT WHICH SENSOR IS BEING USED IN THE SOFTWARE

- COMPATIBLE WITH ETHANOL
- MUST BE INSTALLED PRE CATALYTIC CONVERTOR
- OPTIONAL WIDEBAND HARDWARE PACK MAY BE PURCHASED IF REQUIRED (HT-010746 FOR LSU4.9) (HT-010747 FOR NTK)



LEGEND - WIRE COLOUR

B = BLACK BR = BROWN G = GREEN GY = GREY L = BLUE LL = LIGHT BLUE LG = LIGHT GREEN LY = LIGHT YELLOW O = ORANGE P = PINK R = RED V = VIOLET Y = YELLOW W = WHITE

WHEN TWO COLOURS ARE USED IN A WIRE BY THE ALPHABETICAL CODE, THE FIRST LETTER INDICATES THE BASIC WIRE COLOUR, THE SECOND COLOUR INDICATES THE COLOUR OF THE STRIPE.